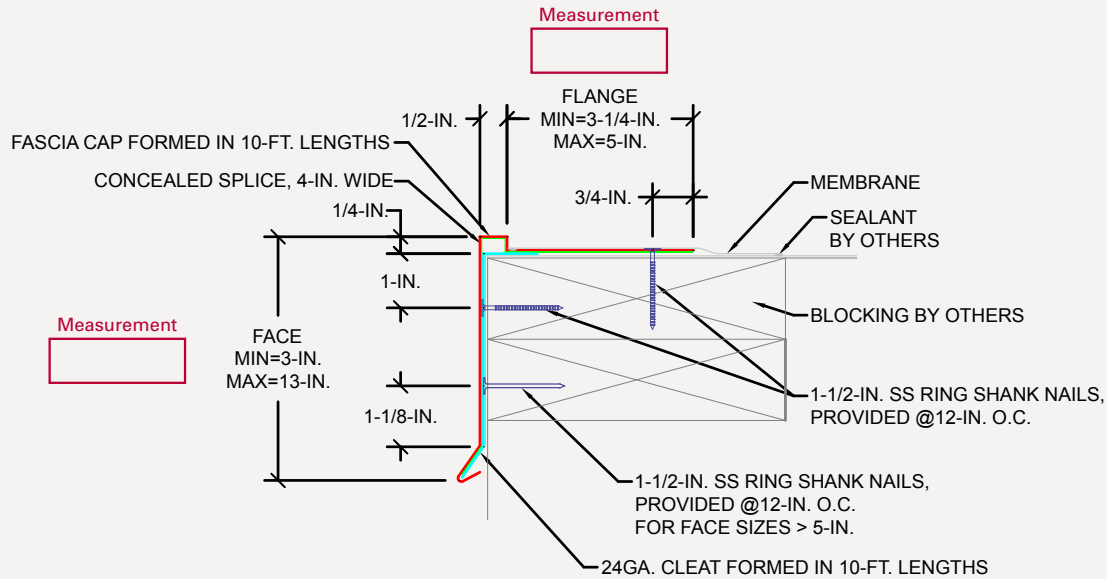


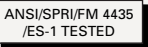



# OMG<sup>®</sup> MBED-B Fascia for Built-Up and Modified Roofs.

## ORDER SPECIFICATION FORM

ANSI/SPRI/FM4435/ES-1 TEST PRESSURES UP TO 314 PSF (HORIZONTAL)

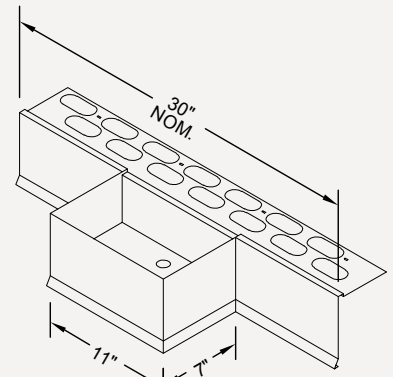
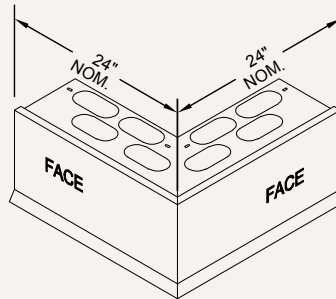
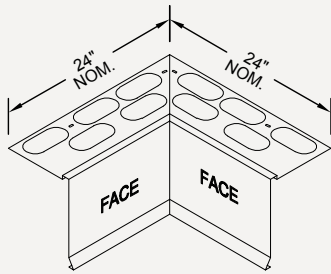
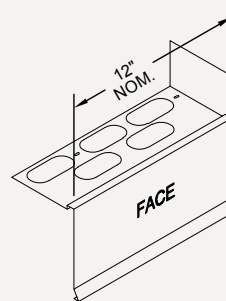
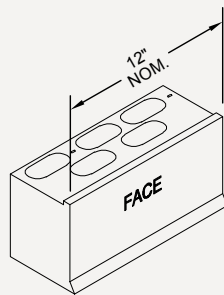
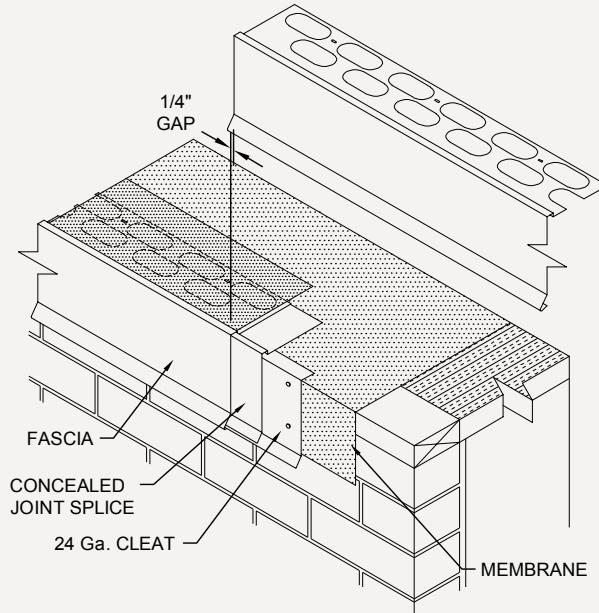


FOR MASONRY APPLICATIONS, PLEASE CONTACT US.  
CONTACT US FOR APPROPRIATE RECOMMENDATIONS NEEDED TO MEET/EXCEED  
ANSI/SPRI/FM4435/ES-1 DESIGN CRITERIA

APPROVALS		COVER MATERIAL	THICKNESS	COVER FINISH
  Florida Product Approval  		Aluminum Galvanized Steel Stainless Steel	24Ga. 22Ga. .040 in. .050 in. .063 in.	Mill Prefinished Kynar Premium Prefinished Kynar Post Finished Kynar Prefinished Anodized Post Finished Anodized
QUANTITY		ACCESSORY TYPE		
_____ Straight Length _____ Total Miters (Inside: _____ / Outside: _____) _____ Total End Caps (Left: _____ / Right: _____) _____ Total End Terms (Left: _____ / Right: _____) _____ Radius Notched _____ Radius to Straight Miter Notched _____ Radius End Cap _____ Vault Welded _____ Vault to Straight Miter Welded _____ Vault End Cap _____ Z-Miter _____ Ridge Miter _____ Valley Miter _____ Sumps _____ Spillouts		Welded Folded		
		CUSTOMER APPROVAL		
		Approved for Fabrication    Approved with Changes    Not Approved		
		_____ Authorized Customer Signature		
		_____ Title	_____ Date	
		_____ Job Name:		
		_____ Project Location:		
		_____ Customer:		
		_____ Representative:		
FACE HEIGHT		COLOR		
_____		_____		



# MBED-B Fascia for Built-Up and Modified Roofs



Standard fascia miter leg lengths are 24" Nominal  
Standard fascia miter angle is 90°  
For special miter requirements, attach sketches or consult manufacturer for assistance.



## EdgeSystems

4 COMMERCE WAY, ARDEN NC 28704 USA  
800-892-9173 828-676-1700 OMGROOFING.COM

Copyright © 2020 OMG, Inc. All rights reserved.

Superior productivity.  
Superior performance.

